



Pool Water Recirculation

Skimmer Boxes

Suitable for domestic, semi commercial and commercial swimming pools



SupaSkimmer Widemouth



SupaSkimmer

SupaSkimmer

The SupaSkimmer is a large capacity skimmer box which is ideal for use in large domestic, semi commercial and commercial swimming pools. Because of its large capacity 5.9 litre debris collection it is also ideal for any swimming pool that is constructed in leafy environments.

- Lock down leaf basket and vacuum plate - holds the leaf basket and vacuum plate firm.
- Large capacity basket – 5.9 litres, over double the size of conventional skimmers.
- 2 x 50mm bottom suction ports – less water flow restrictions.
- 2 x 40mm side ports – ideal for wall mount cleaners.
- New child resistant safety lid – prevents child accidents.
- Deeper body style – less chance of running pumping equipment dry.
- Built in overflow drain port to assist the prevention of flooding, during heavy rain.

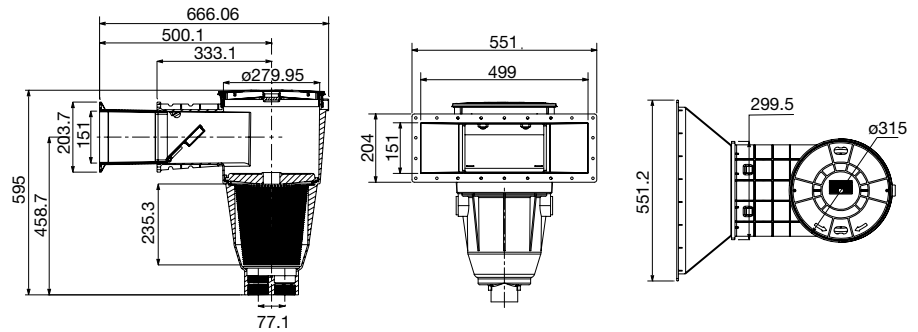
SKIMMER BOXES

| Part Number | Product Description | Nominal Size |
|-------------|---|--------------|
| 29209 | Supasaver Skimmer Extended 100mm | Concrete |
| 29201 | Supaskimmer | Concrete |
| 29206 | Supaskimmer with Square rim | Concrete |
| 29205 | Supaskimmer | F/glass |
| 29210 | Supaskimmer Widemouth | Concrete |
| 292011 | Commercial Supaskimmer (Glass reinforced lid) | Concrete |

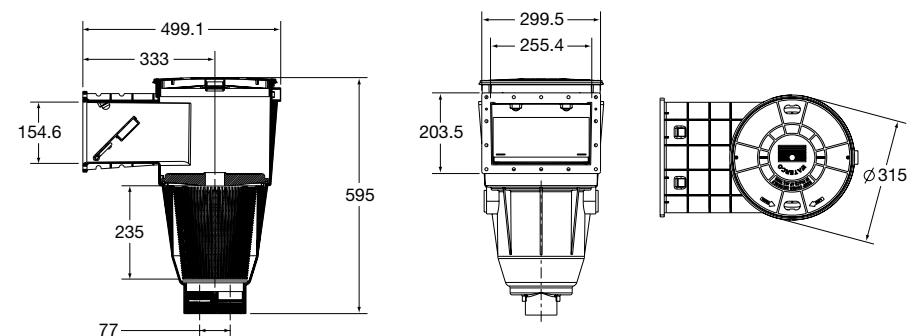
Specifications

| Model | Max. Surface Area | Suction Pipe (mm) | Opening (mm) | Basket Capacity (litres) | Total Height (mm) | Total Depth (mm) | Unit Weight (kg) |
|-----------------------|-------------------|-------------------|--------------|--------------------------|-------------------|------------------|------------------|
| Supaskimmer | 75 m ² | 2 x 50 | 247x152 | 5.9 | 580 | 500 | 7 |
| Supaskimmer Widemouth | 75 m ² | 2 x 50 | 551x152 | 5.9 | 580 | 500 | 10 |

SupaSkimmer Widemouth



SupaSkimmer



Skimmer Boxes

Suitable for domestic, semi commercial and commercial swimming pools

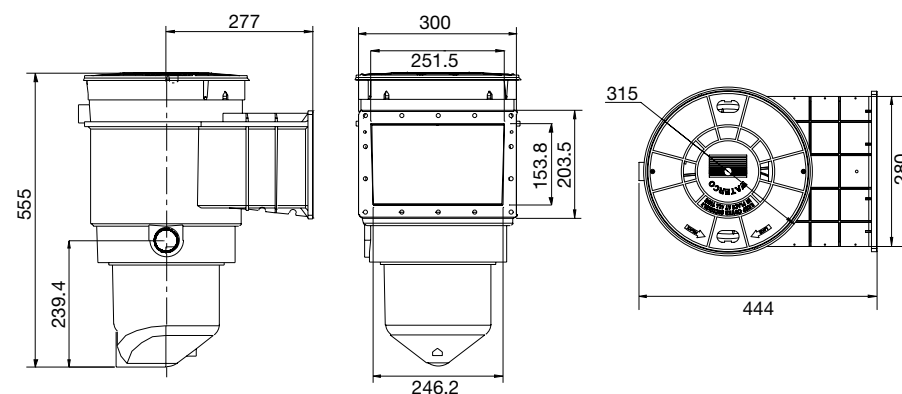
S75 SKIMMER

| Part Number | Product Description | Nominal Size |
|-------------|---------------------------------|--------------|
| 29251 | Skimmer Box S75C MK2 | Concrete |
| 29253 | Skimmer Box S75 with Square rim | Concrete |
| 29256 | Skimmer Box S75F MK2 | F/glass |

Specifications

| Model | Max. Surface Area | Suction Pipe (mm) | Opening (mm) | Basket Capacity (litres) | Total Height (mm) | Total Depth (mm) | Unit Weight (kg) |
|-------|-------------------|-------------------|--------------|--------------------------|-------------------|------------------|------------------|
| S75 | 75 m ² | 50 | 247x152 | 2.4 | 520 | 440 | 6 |

Dimension



S75 Skimmer Box

The S75 skimmer is a general purpose skimmer which can be used in concrete, fibreglass and above ground pool installations.

It has a built in overflow drain port to assist the prevention of flooding, during heavy rain. A horizontal 50mm suction take-off reduces the suction lift demands on the pump, saving energy.

- Lock down leaf basket and vacuum plate - holds the leaf basket and vacuum plate firm
- Child safety lid lock down system – prevents child accidents
- Square and round deck lid configuration

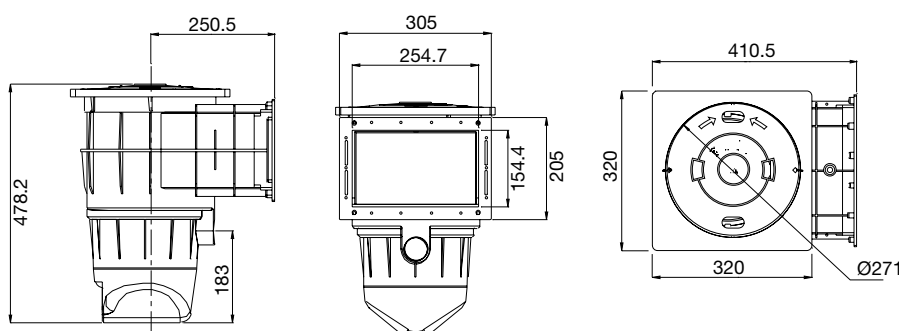
SP5000 SKIMMER

| Part Number | Product Description | Nominal Size |
|-------------|---------------------------------------|--------------|
| ASM002 | Paramount SP5000 | Concrete |
| ASM004 | Paramount SP5000 with extended throat | F/glass |
| ASM005 | Paramount SP5000 w/o gasket | F/glass |

Specifications

| Model | Max. Surface Area | Suction Pipe (mm) | Opening (mm) | Basket Capacity (litres) | Total Height (mm) | Total Depth (mm) | Unit Weight (kg) |
|--------|-------------------|-------------------|--------------|--------------------------|-------------------|------------------|------------------|
| SP5000 | 75 m ² | 50 | 255x155 | 2.6 | 478.2 | 385 | 5 |

Dimension



SP5000 Skimmer

The SP5000 skimmer is a general purpose skimmer which can be used in concrete, fibreglass and above ground pool installations. The SP5000 is sized to minimise excavation and reduce concrete and steel requirements, whilst maintaining an optimum skimming action. A horizontal 50mm suction take-off reduces the suction lift demands on the pump, saving energy.

Skimmer Boxes

Suitable for domestic, semi commercial and commercial swimming pools

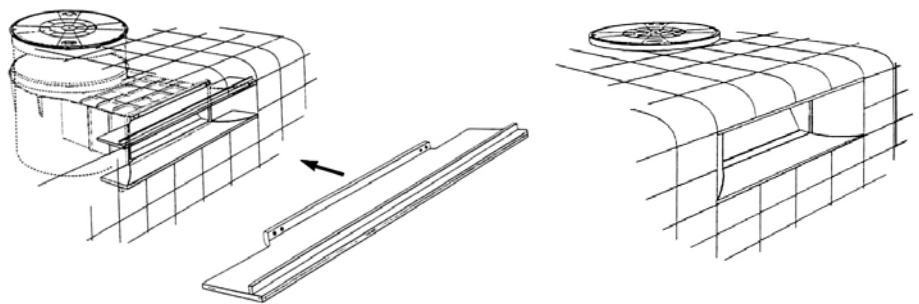


Waterco's skimmer lintels are manufactured in ABS plastics and are designed to become an integral part of Waterco's Skimmer Box in a concrete installation.

The lintel will structurally support the installation of all types of pool pavers across the skimmer box opening.

SKIMMER LINTEL

| Part Number | Product Description | Nominal Size |
|-------------|---------------------|--------------|
| 62421 | Skimmer Lintel | Concrete |



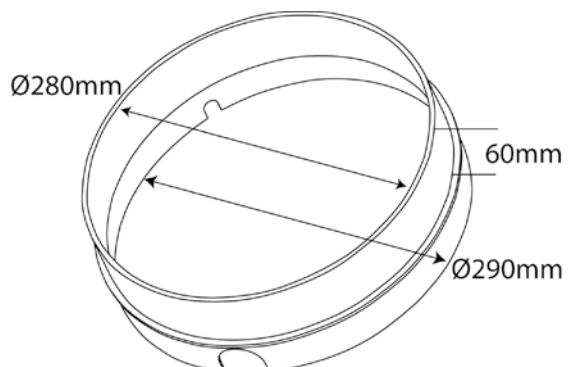
SKIMMER BOX EXTENSION RING

| Part Number | Product Description | Nominal Size |
|-------------|------------------------|--------------|
| 624105 | Skimmer Extension Ring | |



If the skimmer is to be installed so that the deck lid will not be secured to the skimmer body, Waterco recommends using a skimmer Extension Ring (624105) for trouble free installation. The Extension Ring sits snugly in between the skimmer body and the Deck Ring and is strong enough to hold its shape during concreting. Using the Extension Ring will prevent misalignment of the Deck Ring and the skimmer body.

- Eliminate problems caused by concrete intruding into the skimmer box cavity.
- Ensure there are no obstructions to removing and replacing vacuum plates.
- Extension rings can be piggybacked to provide extensions in multiples of 60mm



Automatic Water Leveller

Ensuring the right water level, for peace of mind

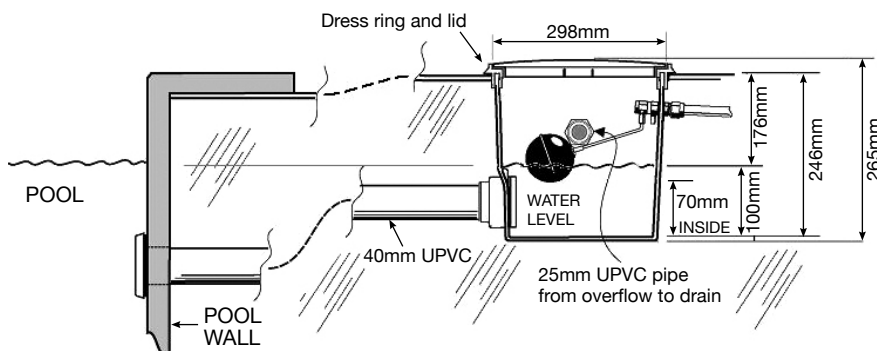
AUTOMATIC WATER LEVELLER

| Part Number | Product Description | Nominal Size |
|-------------|-------------------------|--------------|
| 29319 | Auto Water Leveller MK2 | |

Waterco's Automatic Water Leveller adds to the leisure time of the pool owner by eliminating the need to keep an eye on the water level.

- Fully automatic operation
- Overflow connection
- Child resistant lock down lid assembly.
- Simple servicing and connection

By maintaining the correct water level, the Automatic Water Leveller eliminates the risk of an expensive pump failure brought about by starvation of water through evaporation or leakage.



The Automatic Water Leveller is placed in the ground at a convenient location near the pool and plumbed to a separate pool inlet and also to the fresh water supply. The leveller remains inactive until the pool water level drops below or rises above the correct point at which time it will restore the right level by adding or draining water as the situation requires.



Circulation Accessories

Flush Deck Grating, Main Drains, Suction Fittings, Eyeball Fittings and Swimjet System

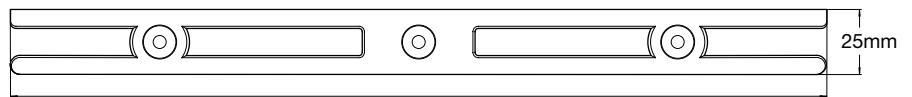


FLUSH DECK GRATING

| Part Number | Product Description | Nominal Size |
|-------------|-----------------------------------|--------------|
| 900302W | Flush Deck Grating (41 per metre) | 301mm wide |
| 900303W | Flush Deck Grating (41 per metre) | 250mm wide |
| 900304 | Flush Deck Grating (41 per metre) | 301mm plain |
| 900305 | Flush Deck Grating (41 per metre) | 250mm plain |

Flush Deck Grating

- Modular section – easy fitting especially around curves and bends
- Moulded pattern surface – non slip surface
- Flush fitting – no protrusion to pool surround
- Safe even water flow – maximum surface skimming



301mm OR 250mm
Curvature: minimum radius 800mm

MAIN DRAINS

| Part Number | Product Description | Nominal Size |
|-------------|---|--------------|
| 29300 | Waterco Main Drain - white c/w valve and stem | |
| 29308 | Waterco Main Drain - beige c/w valve and stem | |
| 29301 | Body | |
| 29302 | Hydrostatic Valve | 50mm |
| 29304 | Main Drain Stem | |
| 29303 | Cover & Dress Ring (white) | |
| 29307 | Cover & Dress Ring (beige) | |
| 29313 | Grease Plate Hydrovalve | |
| 29314 | Lid for grease plate | |
| 291701 | Floor Inlet - Adjustable | 40mm x 50mm |

Main Drains



Main Drains

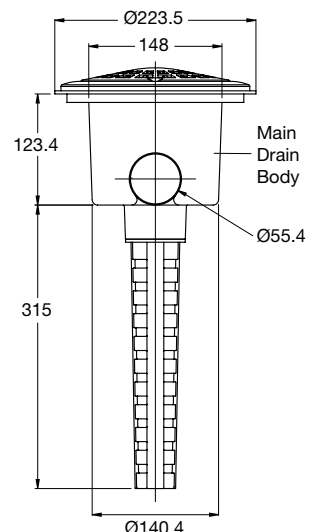
Waterco Main Drains are manufactured using the highest quality, impact resistant thermoplastic (ABS plastic). Main Drain incorporates a Hydrostatic valve. This valve will safeguard and stop your pool from lifting out of the ground or “popping” when the water level is low or when there is water under the pool. The long ground water spear detects underground water at a greater depth and causes the hydrostatic valve to release it before it can build up to a level that may damage your pool.

Waterco Main Drains are available in white and beige.

Floor Inlet Fitting

- 40 x 50mm
- Adjustable
- Slip fit tail slots for easy access into 40/50mm pipe
- Suction area of 7500mm²
- Max flow rate 245 lpm

Floor Inlet



Circulation Accessories

Flush Deck Grating, Main Drains, Suction Fittings, Eyeball Fittings and Swimjets

SUCTION FITTINGS

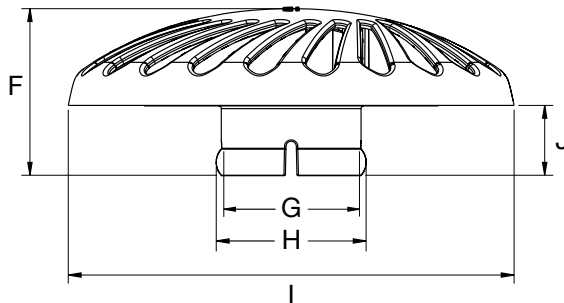
| Part Number | Product Description | Nominal Size |
|-------------|------------------------|--------------|
| 453494 | Waterco Slip Fit Black | 40mm |
| 453496 | Waterco Slip Fit White | 40mm |
| 453497 | Waterco Slip Fit White | 50mm |

Suction fittings

- Slip fit tail has crosshair slots for easy access into 40mm or 50mm pipe.
- Low profile for minimal intrusion into the pool.
- Suction area of 7500mm².
- Max flow rate: 245 lpm.
- Available in black and white.
- Also available in white with 50mm threaded tail.



Slip Fit White



Dimension (mm)

| Model | F | G | H | I | J |
|-----------------|------|-------|---------|----------|------|
| 453496 / 453494 | 62mm | Ø40mm | Ø44.7mm | Ø165.9mm | 26mm |
| 453497 | 62mm | Ø50mm | Ø55.8mm | Ø165.9mm | 26mm |



Slip Fit Black

Circulation Accessories

Flush Deck Grating, Main Drains, Suction Fittings, Eyeball Fittings and Swimjet System

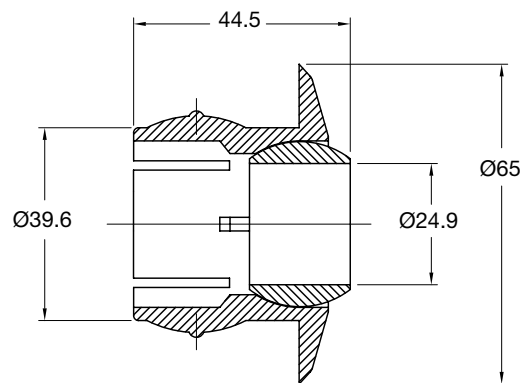
EYEBALL FITTINGS

| Part Number | Product Description | Nominal Size |
|-------------|--|--------------|
| 29101 | Multi Directional Eyeball (white) (Slipfit for Concrete Pools) | CL9/40mm |
| 29102 | Multi Directional Eyeball (brown) (Slipfit for Concrete Pools) | CL9/40mm |
| 29104 | Multi Directional Eyeball (black) (Slipfit for Concrete Pools) | CL9/40mm |
| 29106 | Eyeball - (Thread with back nut) | 40mm |
| 291061 | Eyeball - 40mm thread | |
| 29150 | Eyeball White 50mm Slip Fit | 50mm |
| 459201 | Gasket to suit 29106 Eyeball | |



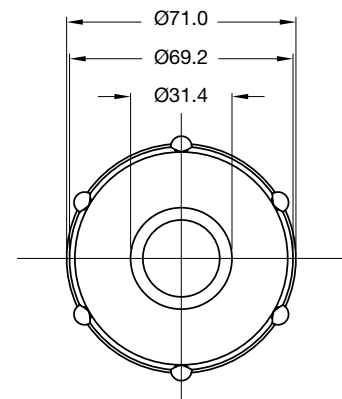
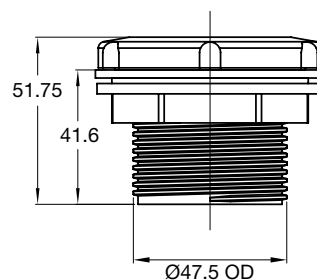
Eyeball Fittings – Concrete Pools

- Slip fit tail has crosshair slots for easy access into 40mm pipe
- Adjustable eyeball to assist directional flow of water
- Flush fitting wall collar
- Max flow rate: 245 lpm
- Available in black, white and brown
- Also available in white with 50mm slip fit tail



Eyeball Fittings – Fibreglass Pools

- Available as threaded unit with back nut or a 40mm thread.
- Only available in white



Swimjets

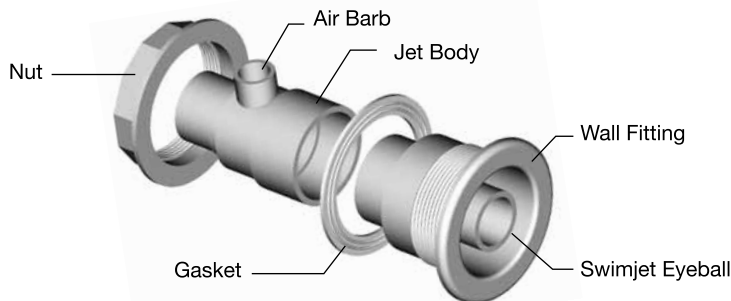
Endless Swimming Current

SWIMJETS

| Part Number | Product Description | Nominal Size |
|-------------|---------------------|--------------|
| 45541 | Waterco Swimjets | |

Waterco Swimjets

Waterco Swimjets are a high performing jet which is brilliant in large spas or swim spas.

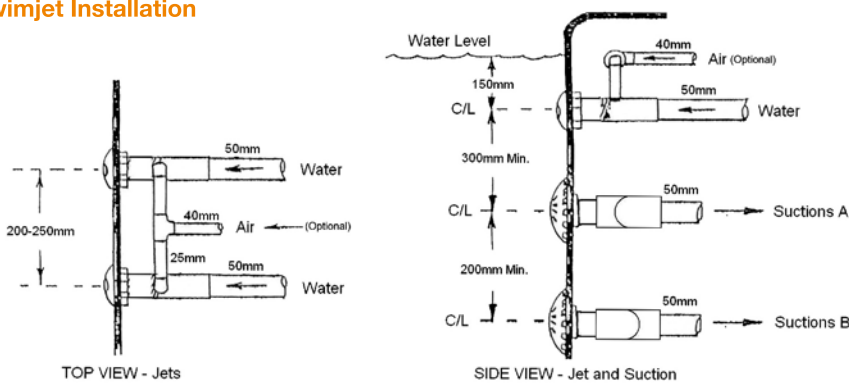


US Swimjet

Waterco Swimjets are a high performing jet, designed to create an endless resistant current to swim against.

Waterco swim jets are a flush mounted jet propulsion system capable of creating a current up to 340 litres per minute.

Swimjet Installation



Specifications

| Material | Swimjet Nozzle | Output | Hole Size | Clearance | Installation |
|---------------|----------------|-----------------|-----------|-----------------------|--------------------------|
| White PVC/ABS | 1" | 340lpm @ 100kPa | 84mm | 165mm behind tub wall | Requires 114mm flat area |

Dimension

