

WATERCO

Water, the Liquid of Life



Heaters

ElectroHeat MKII

Energy efficient swimming pool heating



ELECTROHEAT MKII HEAT PUMPS - c/w Digital controls & Titanium Heat Exchangers

Part Number	Product Description	Nominal Size
278562	Electroheat Digital 55 Mk II	16kW
278812	Electroheat Digital 80 Mk II	23kW
278852	Electroheat Plus 85 Mk II	25kW
2788532	Electroheat Plus 85 Mk II (3 Phase)	25kW
27810532	Electroheat Plus 105 Mk II (3 Phase)	31kW
27812532	Electroheat Plus 125 Mk II (3 Phase)	36.5kW
27815032	Electroheat Plus 150 Mk II (3 Phase)	44kW

The latest advancement in swimming pool heating, Electroheat heat pump extracts latent heat from the surrounding air, intensifies it and transfers it to your swimming pool.

Electroheat heat pumps are an energy efficient way to heat your pool and extend your swimming season.

- Energy efficient heating
- Temperature management & self-diagnosis
- High density titanium heat exchanger
- Weather proof cabinet
- Titanium Heat Exchanger

Sizing chart to heat your pool to 28 °C									
		Temperate Location*				Warm Location*			
		12hrs / Day Runtime		14hrs / Day Runtime		12hrs / Day Runtime		14hrs / Day Runtime	
Pool Size (m)	Litres	with Pool Cover	No Pool Cover	with Pool Cover	No Pool Cover	with Pool Cover	No Pool Cover	with Pool Cover	No Pool Cover
3 x 7	Up to 35000	55	80	55	55	55	55	55	80
3.5 x 7	Up to 38000	55	105	55	80	55	80	55	55
4 x 8.5	Up to 57000	80	125	55	125	55	105	55	85
5 x 10	Up to 76000	105	see dealer	85	150	80	150	55	125
5.5 x 11	Up to 95000	125	see dealer	105	see dealer	85	see dealer	80	150
6 x 12	Up to 114000	150	see dealer	125	see dealer	105	see dealer	85	150
6 x 15	Up to 133000	see dealer	see dealer	150	see dealer	150	see dealer	125	see dealer

Please note : Heat pump sizing is influenced by ambient temperature , humidity , presence of a pool cover , nightly temperatures , pool location , wind factor water features and hours of operation .

* Temperate location: Where minimum average daytime temperatures between September to May are not less than 18°C.

* Warm location: Where minimum average daytime temperatures between September to May are not less than 26°C .

Technical Specifications							
Specifications	Electroheat 55 MKII	Electroheat 80 MKII	Electroheat Plus 85 MKII		Electroheat Plus 105 MKII	Electroheat Plus 125 MKII	Electroheat 150 MKII
Nominal Heating Capacity btu *	55,000	80,000	85,000		105,000	120,000	150,000
Power Output (kW)	16	23	25		31	36.5	44
Supply Voltage (VAC)	240	240	240	415	415	415	415
Supply Voltage Phase	Single phase	Single phase	Single phase	Three Phases	Three Phases	Three Phases	Three Phases
Power Consumption (kW/h)	4.2	6.8	6.5	6.5	7.2	7.1	7.9
Unit Running Amperage (AMP)	17.4	29.4	29.4	11.1	11.4	10	16.4
Fan Full Load Amp (FLA)	1	1	1		1	1	1
Breaker or Fuse (AMP)	30	40	40	25	25	25	25
Min./Max. Ambient Air Temperature (C)	12 - 40	12 - 40	12 - 40	12 - 40	12 - 40	12 - 40	12 - 40
Min./Max. Water inlet (C)	14/40	14/40	14/40	14/40	14/40	14/40	14/40
Water Connections (mm)	40	40	40	40	40	40	40
Min./Max. Water Flow Rate LPM	170 - 200	170 - 200	170 - 200	170 - 200	170 - 200	170 - 200	170 - 200
Weight (kg)	59	78	84		87	89	93
Dimensions A x B x C (mm)	735 x 560 x 815	915 x 610 x 865	750 x 850 x 1000		890 x 880 x 1130		

Warranty

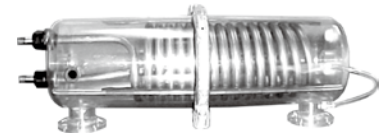
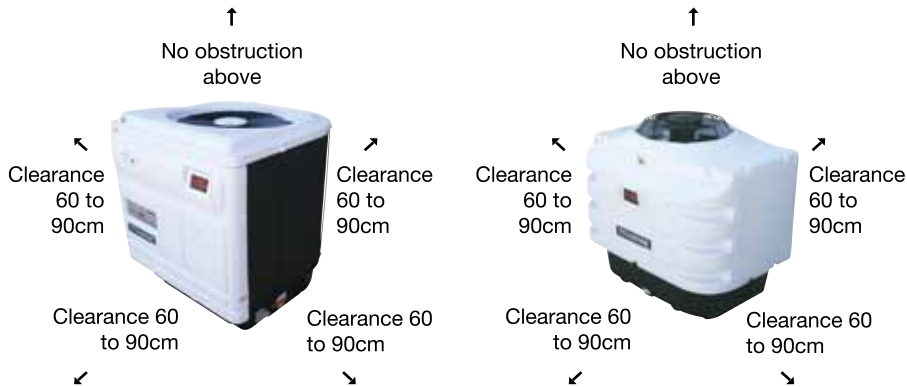
ElectroHeat Plus is covered by a 5 (2+3) year warranty for residential installations and a 1 year warranty for commercial installations.



ElectroHeat MKII

Energy efficient swimming pool heating

Clearance



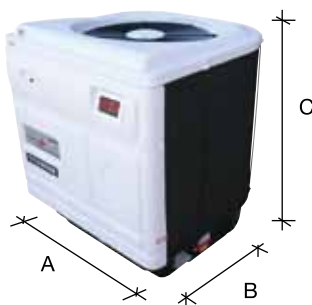
Titanium Heat Exchanger

A Titanium Heat Exchanger offers total protection against erosion and corrosion. Titanium metal's corrosion resistance is due to a stable, protective, strongly adherent oxide film. This film forms instantly when a fresh surface is exposed to air or moisture.

Titanium is resistant to: chlorinated water, ozone, iodine, Baquacil, bromine and salt water.

Dimensions

Model	A	B	C
Electroheat MK II 55	735 mm	560 mm	815 mm
Electroheat MK II 80	915 mm	610 mm	865 mm
Electroheat Plus MK II 85	750 mm	850 mm	1000 mm
Electroheat Plus MK II 105	890 mm	880 mm	1130 mm
Electroheat Plus MK II 125	890 mm	880 mm	1130 mm
Electroheat Plus MK II 150	890 mm	880 mm	1130 mm



ElectroHeat Subzero

The latest advancement in swimming pool heating.



ELECTROHEAT SUBZERO

Part Number	Product Description	Nominal Size
278551	Electroheat SubZero 55	16 Kw
278751	Electroheat SubZero 75	22 Kw
278753	Electroheat SubZero 75 (three phase)	22 Kw
2781003	Electroheat SubZero 100 (three phase)	31 Kw

Electroheat Subzero heating

Electroheat Subzero features an automatic hot gas de-icing function. If any ice forms on the evaporator, the Electroheat Subzero's pipe configuration is temporarily reconfigured via a reversing valve to allow hot gas to melt the ice, the Electroheat Subzero the Electroheat Subzero then reverts back to heating your pool.



The latest advancement in swimming pool heating, Electroheat Subzero heat pumps extracts latent heat from the surrounding air, intensifies it and transfers it to your swimming pool.

Electroheat Subzero heat pumps will heat your pool even when the the ambient air temperature is close to 0°C.

- Energy efficient heating
- Temperature management & self-diagnosis
- Automatic hot gas de-icing for cold climates
- High density titanium heat exchanger
- Weather proof cabinet

Sizing chart to heat your pool to 28 °C

			Model		
			Regional average daytime temperatures Between September to April		
Pool Size m	Surface Area m ²	Litres	Over 20°C	18°C to 23°C	10°C to 15°C
3x7	21	Up to 29400	55	55	75
4x7	28	Up to 39200	55	75	100
4x8	32	Up to 44800	75	75	100
4x9	36	Up to 50400	75	100	100
5x9	45	Up to 63000	100	100	See Dealer
5x10	50	Up to 70000	100	See Dealer	See Dealer
5x11	55	Up to 75000	100	See Dealer	See Dealer

Please note: Heat pump sizing is influenced by ambient temperature, humidity, presence of a pool cover, nightly temperatures, pool location, wind factor, water features and hours of operation.

Technical Specifications

Models	ElectroHeat Subzero 55	ElectroHeat Subzero 75	ElectroHeat Subzero 100	
Nominal Heating Capacity btu *	55,000 BTU	75,000 BTU	100,000 BTU	
Power Output (Kw)	16	22	31	
Supply Voltage (VAC)	240	240	415	415
Supply Voltage Phase	1 phase	1 phase	3 Phases	3 Phases
Power consumption (kW/h)	4	5.4	5.3	7.2
Unit Running Amperage	16.9	22.4	10.1/Phase	10.4/Phase
Fan Full Load Amp (FLA)	1.0	1.0		1.0
Min / Max Breaker or Fuse (AMP)	30 - 40	40 - 50	25	25
Min./Max. Air Inlet Temperature (C)	0 - 40	0 - 40	0 - 40	0 - 40

Water Flow & Plumbing Characteristics

	Ext. Field Install	Ext. Field Install	Ext. Field Install	Ext. Field Install
Water Bypass Type				
Min./Max. Water Flow Rate (LPM)	180 - 225	180 - 225	170 - 200	180 - 225
Min./Max. Water Inlet Temperature (Degrees C)	12 - 40	12 - 40	12 - 40	12 - 40
Plumbing Connection Size (Inch. / mm)	1 - 1/2" / 40mm	1 - 1/2" / 40mm	1 - 1/2" / 40mm	1 - 1/2" / 40mm

* Heating capacity is dependant upon water temperature , ambient temperature and humidity.

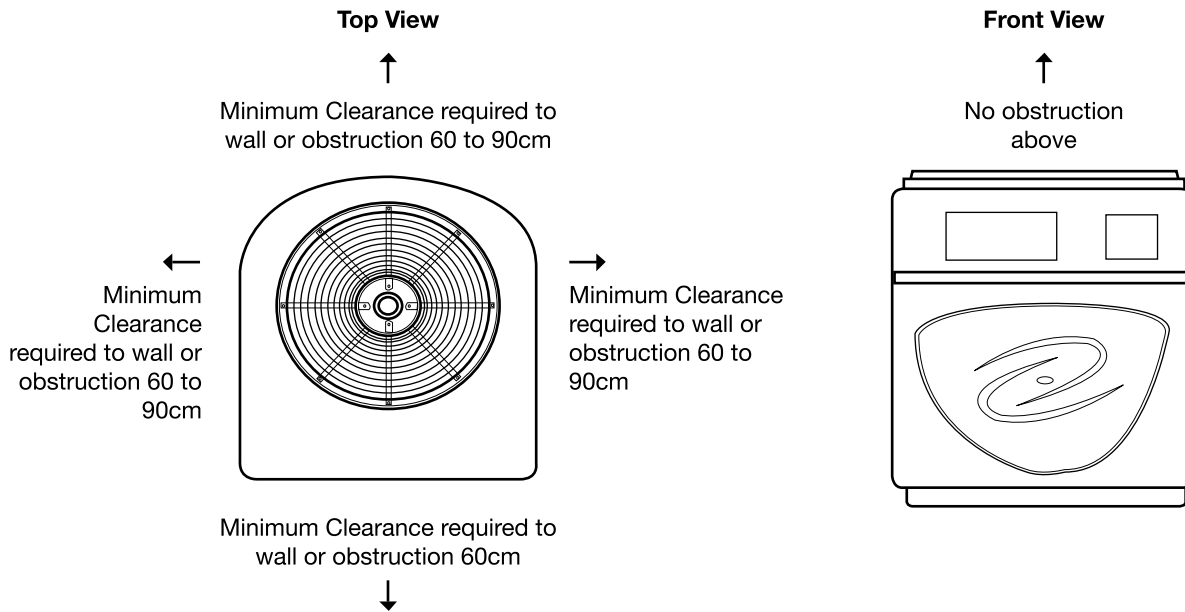


Warranty

Electroheat Subzero is covered by a 5 (2+3) year warranty for residential installations and a 1 year warranty for commercial installations.

ElectrHeat Subzero

WATERCO
Water, the Liquid of Life

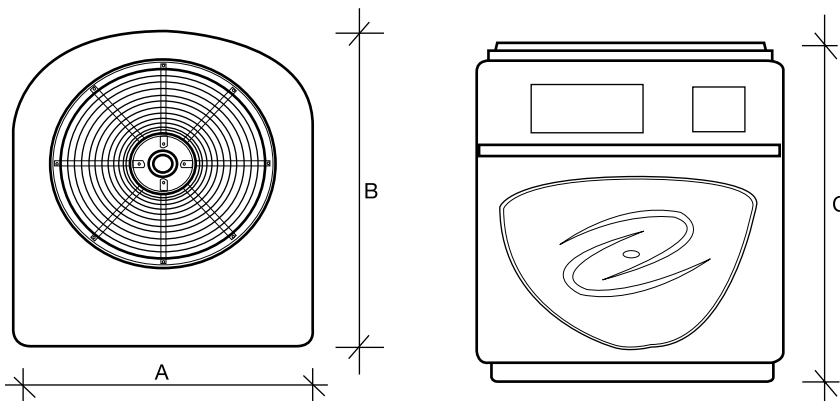


Dimensions

	SubZero 55	SubZero 75	SubZero 100
A	750mm	890mm	890mm
B	890mm	940mm	940mm
C	870mm	990mm	990mm

Weight

SubZero 55	SubZero 75	SubZero 100
90kg	108kg	118kg



Jandy Gas Heaters

High performance heating, season after season



With superior features and proven performance, Jandy Lite2 heaters quickly and efficiently heat your pool whenever it is required.

- Ingenuity
- Safe to use
- Energy saving
- Long lasting
- Weather resistant
- AGA approved

JANDY

Part Number	Product Description	Nominal Size
27125N	LLC 125	132MJ/hr
27175N	LLC 175	185MJ/hr
27250N	LLC 250	264MJ/hr
27325N	LLC 325	343MJ/hr
27400N	LLC 400	423MJ/hr
67R0336000	Temperature Rise Measurement Kit	

All heaters are available for Natural Gas or LPG - Propane
 N - Natural, V - Outdoor, P - Propane, D - Indoor
 Note: Prices do not include delivery charges

JANDY

Part Number	Product Description	Nominal Size
27125J	LJ125	132MJ/hr
27175J	LJ175	185MJ/hr
27250J	LJ250	264MJ/hr
27325J	LJ325	343MJ/hr
27400J	LJ400	423MJ/hr
274001	Indoor Vent Cap	

All heaters are available for Natural Gas or LPG - Propane
 N - Natural, V - Outdoor, P - Propane, D - Indoor

Heater size for pool area shown.

Based on wind of normal protected pool under 600m elevation.

Temp. Rise above Ambient	LLC 125	LLC 175	LLC 250	LLC 325	LLC 400
8°C	62sqm	90sqm	125sqm	160sqm	200sqm
11°C	50sqm	65sqm	95sqm	120sqm	150sqm
14°C	37sqm	55sqm	75sqm	100sqm	120sqm
17°C	31sqm	45sqm	65sqm	80sqm	100sqm
20°C	27sqm	35sqm	55sqm	70sqm	85sqm

Spa - Time in minutes to raise spa water 17°C.

Times are for insulated spa with blanket cover and will increase for concrete spa, wind and no blanket cover in use.

Spa Size	LLC 125	LLC 175	LLC 250	LLC 325	LLC 400
750 litres	30	21	15	12	9
1500 litres	60	43	30	23	19
2250 litres	90	64	45	35	28
3000 litres	120	86	60	46	37
3750 litres	150	107	75	58	47

Model No.	Gas Consumed		Heat Output		Qty. LPG 45kg cylinders	Continuous Time to use one LPG cyl.	Water flow through heater lpm Ø	
	Nom. Natural	MJ/hour LPG	Nom. Natural	kW LPG			Min.	Max.
125	131	118	29	26.5	2	17	76	475
175	184	166	41	37	2	12	76	475
250	263	236	59	53	3	8.2	95	475
325	341	307	76	68.5	4	6.4	114	475
400	420	377	94	84.5	4	5.3	114	475

* Double quantity with automatic change over valve

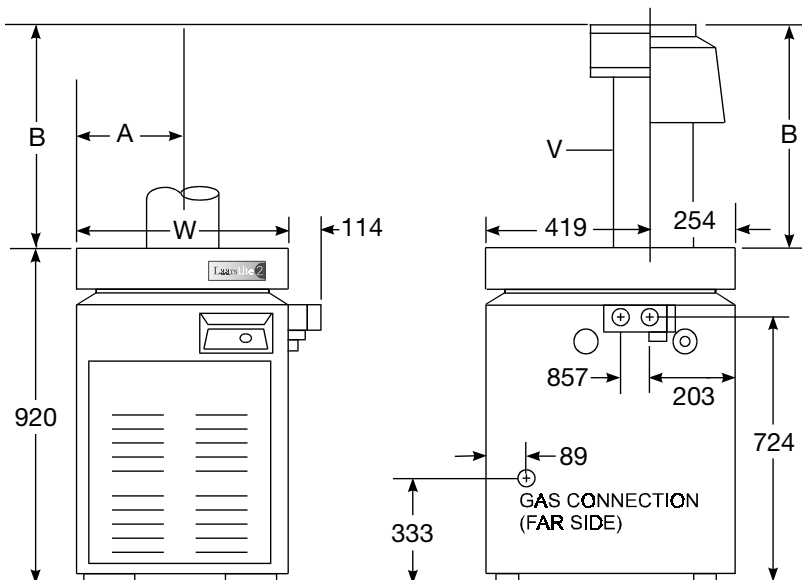
Ø Use bypass for higher flows

Jandy Gas Heaters

High performance heating, season after season

Dimensions (mm)

Model No.	Vent (V) mm	Width (W) mm	Stack Dimensions				Shipping Weight kg
			Outdoor		Indoor		
			A	B	A	B	
125	125	381	197	359	197	454	81
175	150	457	234	371	235	632	90
250	175	572	289	476	289	635	101
325	200	679	346	457	346	635	116
400	225	806	410	527	410	660	130



Warranty

Jandy gas heater components are warranted against defects in materials and workmanship for two (2) years from date of purchase.

Labour is warranted for a period of 12 months from the date of purchase or installation.

Flocheck Valve



FLOCHECK VALVE

Part Number	Product Description	Nominal Size
85540	Flocheck Valve	40mm
85530	Flocheck Valve	50mm

This “Flocheck” valve has a number of essential functions:

1. To prevent heated water backwashing the filter on shutoff or draindown.
2. As a pump protection device for when there is no filter water flow. The pump is switched off via a controller, when no flow is detected by the Flocheck valve.
3. As a warning device to indicate insufficient water flow for the swimming pool heater.
4. As an adjustable flow switch, which can be tailored to the customer’s filter system.

Electric Heaters

All year round heating

ELECTRIC HEATERS

Part Number	Product Description	Nominal Size
28006	Waterco Single Phase Heater	6kW
28118	Waterco 3 Phase Heater	18kW
28124	Waterco 3 Phase Heater	24kW

18kW & 24kW	6kW
Three phase Body : 316 grade Stainless Steel	Single phase Body : Engineering Plastic

- Incoloy heater element - nickel-chromium alloy with good strength and excellent corrosion resistance.
- Manual reset high-limit switch
- Pressure switch to prevent operation without water flow
- High limit temperature control to prevent overheating
- Dependable high quality thermostat
- 40mm and 50mm quick connect unions

All heaters are approved to AS3136 for use throughout Australia and New Zealand as a prescribed Electrical Article, and carry the appropriate approval number.

Technical Data

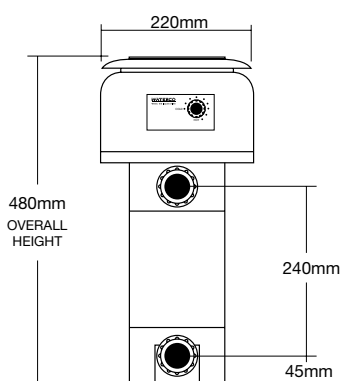
Thermostat temperature adjustment	: 20 deg C - 40 deg C
Over-temperature sensor	: 45 deg C
Maximum temperature	: 70 deg C
Pressure switch settings	: On 35 kPa (3.5m head)
	: Off 15 kPa (1.5m head)
Maximum working pressure	: 250 kPa
Maximum pressure	: 350 kPa
International protection rating	: IP23
Amps - 6kW	: 25 amps
Amps per phase - 18kW	: 25 amps
Amps per phase - 24kW	: 34 amps



Waterco's electric heaters incorporate the most advanced technology to provide lavish comfort, energy efficient operation and long lasting dependability.

Each heater is complete with its own safety and control devices, and requires no other controls for safe operation.

Single Phase (6kW)



Three Phase (18kW & 24kW)

